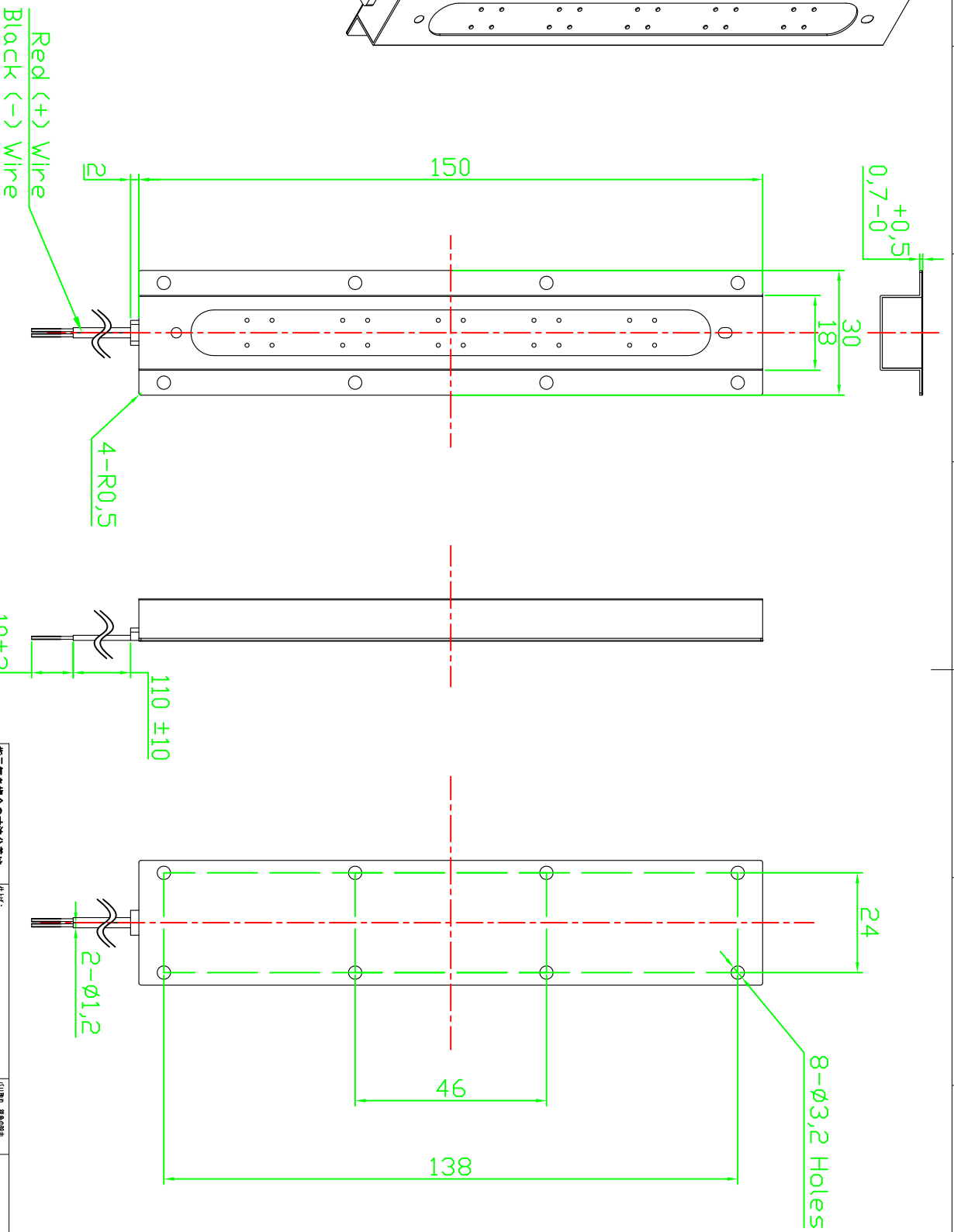
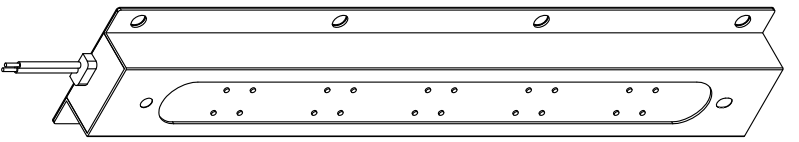


Document Name		Specifications Sheet			
Product Name :		Flat Speaker			
Customer's Part No. :					
Our Part No. :		FPS0105HY-02			
Item		Specifications			
1	Type(Dia, Stru..F-rng)	108 x 10mm, Flat, ~15 KHz			
2	Rated (MAX) Input	10W (20W Max.)			
3	Rated Impedance	8Ω±15%			
4	Resonance Freq (fo)	Depends on mounting materials (50Hz-15kHz)			
5	Sound Pressure Level	82dB±3dB 1W 0.5m (AVR 300,400,500,3k,4k,5k Hz)			
6	Polarity	When a positive DC current is applied to the voice coil terminal marked PLUS, the diaphragm shall move			
7	Terminal	AWG24			
8	Mass	75g			
9	Magnet	Rare Earth 10 x 10 x 3			
10	Outside Dimensions	W30mm x H150mm x D10.2mm			
Life Test					
1	Heat Resistance	70°C 20-50%, 100 Hours			
2	Cold Resistance	-40°C, 100 Hours			
3	Humidity Resistance	92-96%, 40°C, 100 Hours			
4	Load Test	100 Hours (24°)			
5	Withstand Voltage Test	AC 100V 1MΩ UPPER			
6	Environmental Standard	Comply with RoHS			
7	Pass Criterion	Be normal in an operation, sound pressure frequency characteristic, and structure. (However, we judged the Environmental test return to normal temperature and normal humidity for 24 hours after the test.)			
8	Representative frequency response				
9	APVD.	CHK.	DRAW.	Product Dept.	
	Iwata	Hori	Iwata	Date	2.Dec.2008
FPS INC. Tokyo Japan					



指示欄各場合の寸法公差は
JIS B0405に準じて準じる

社名: 株式会社
住所: 東京都港区
〒100-0003

製品名: FPS-0105HY02
図面番号: 外観図
図面番号: 0105HY02
図面番号: 0105HY02

FPS

FPS-0105HY02

外観図

A3